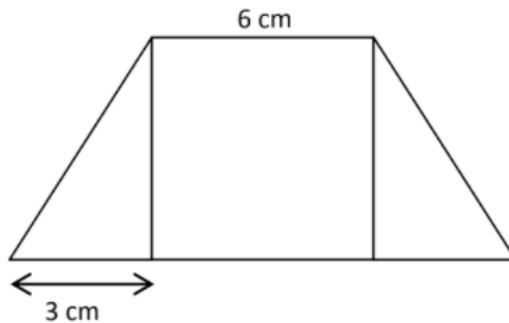


Chapter 19: Geometric Measurement

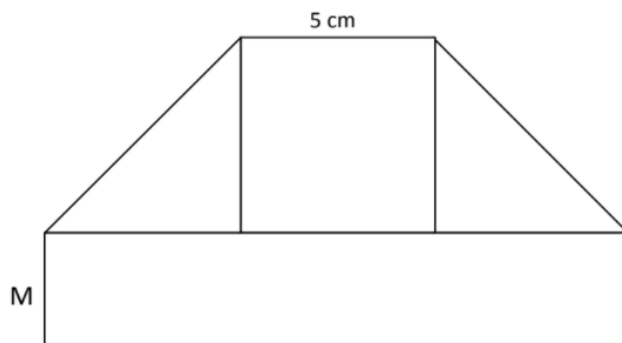
Find the answer of each question.

1.



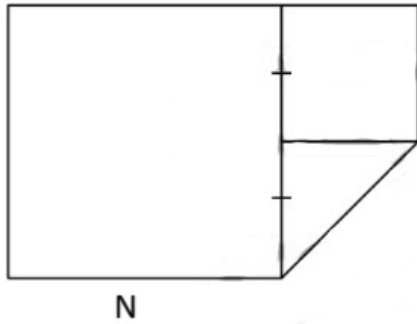
Use cm by unit , find the area of this shape.

2.



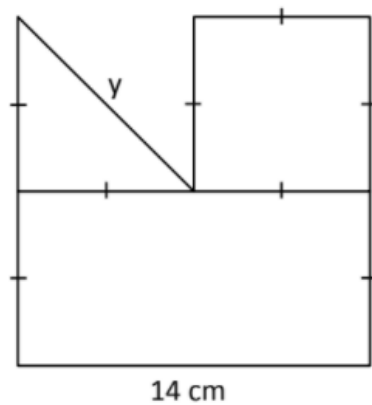
The perimeter of this shape is 36cm. Find the M.

3.



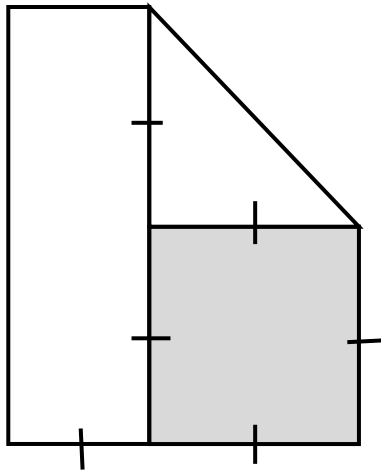
The area of triangle is 8cm^2 , find the N.

4.

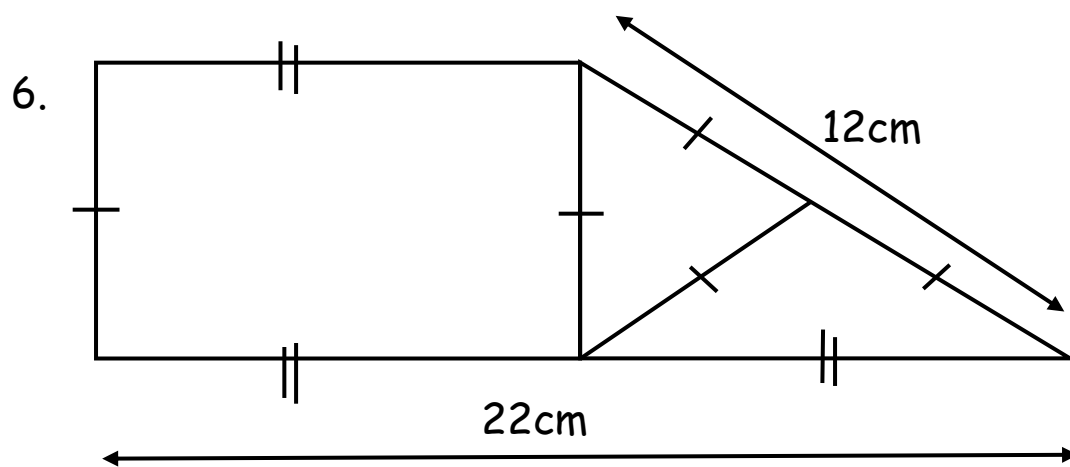


If the perimeter of whole shape is 65cm, find the y.

5. 3cm



The shaded area is 36cm^2 . How many cm^2 of the whole area?

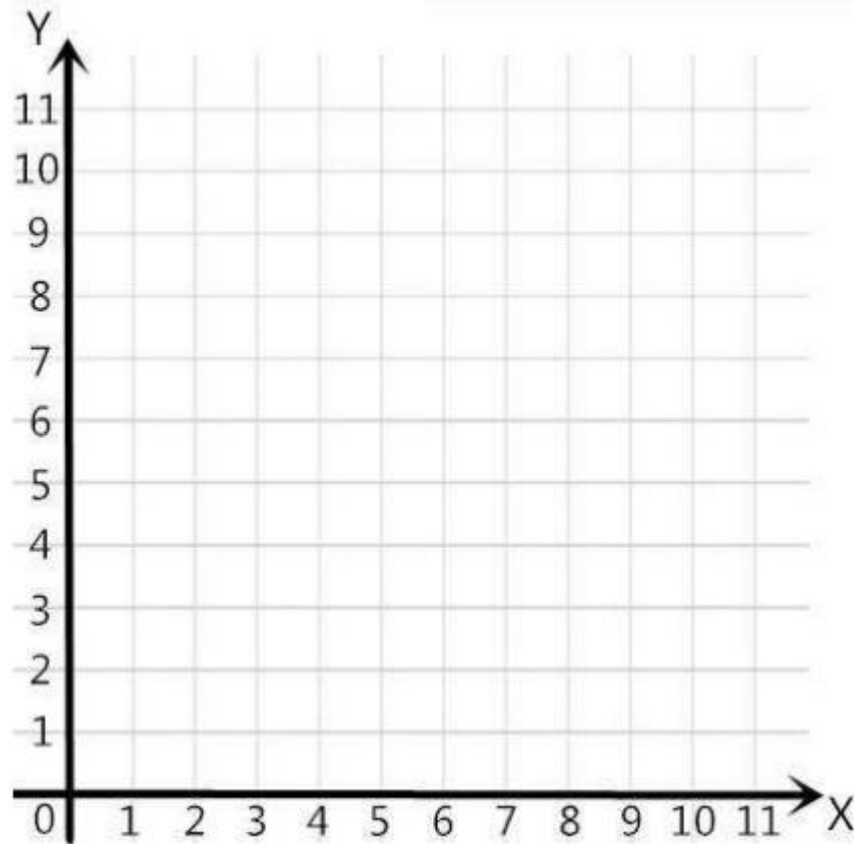


Use cm by unit, calculate of the perimeter of the whole image.

Chapter 16: Two-Variable Equations

Complete a table and graph a two-variable equation

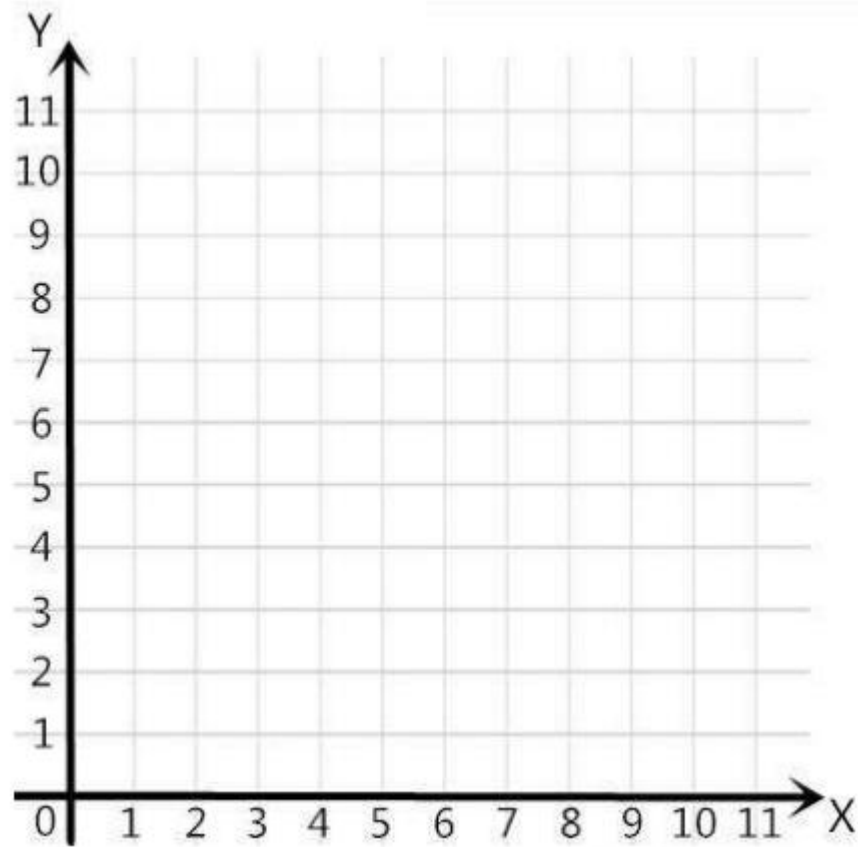
1.



$$y = x + 4$$

x	y
2	
4	
6	

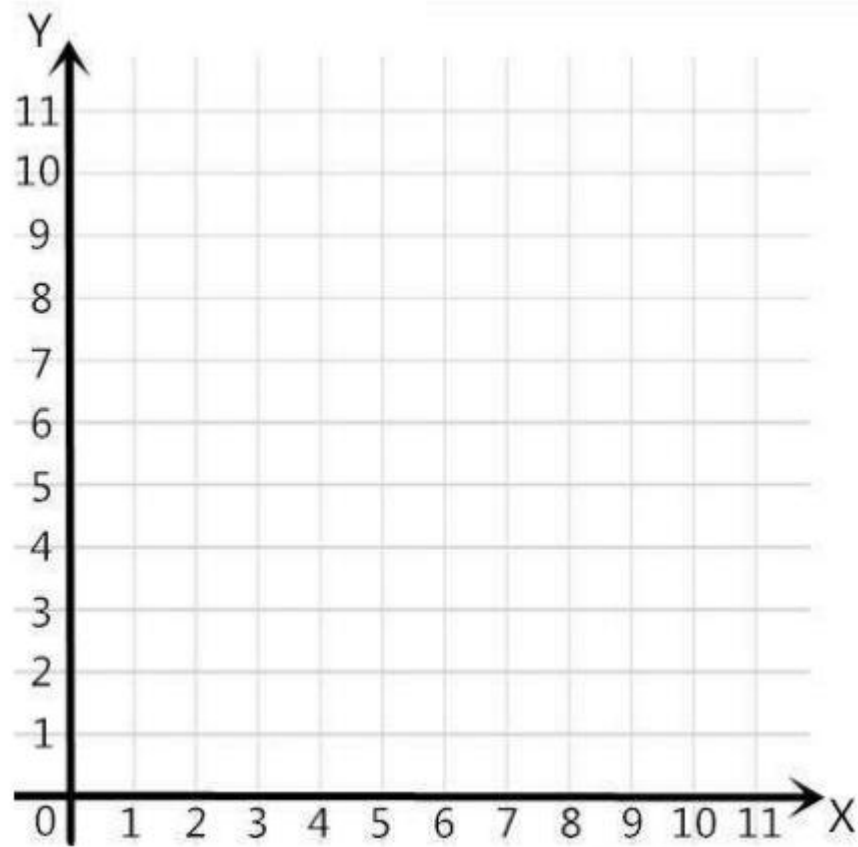
2.



$$y = 2x$$

x	y
1	
3	
5	

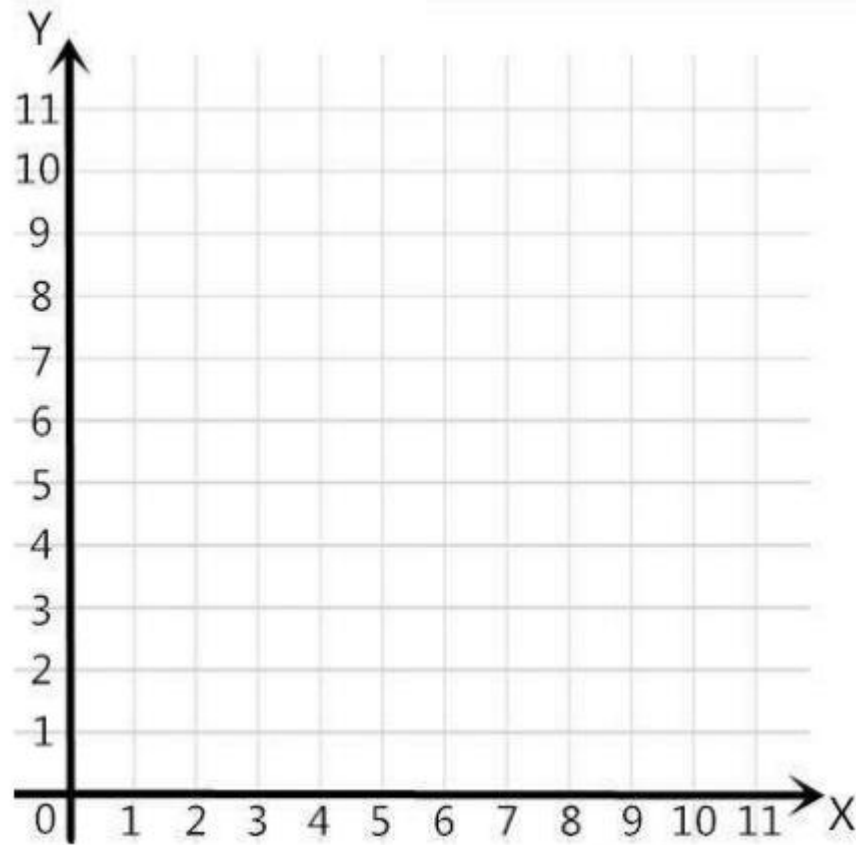
3.



$$y = x - 2$$

x	y
8	
5	
2	

4.



$$y = x \div 2$$

x	y
8	
6	
4	