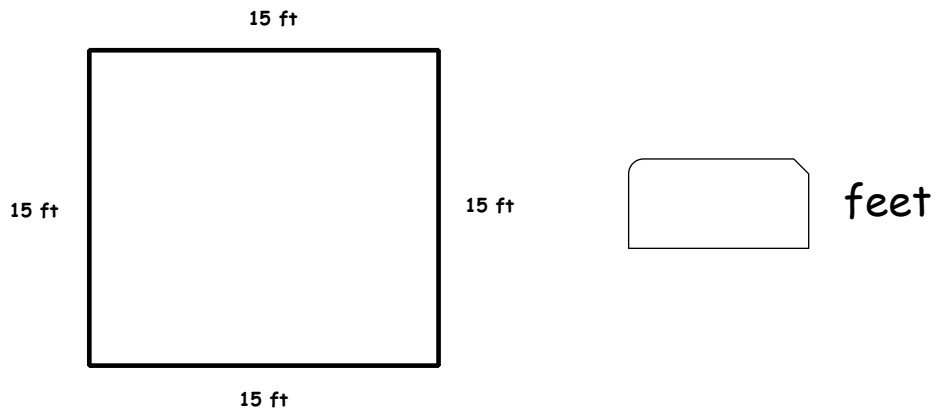


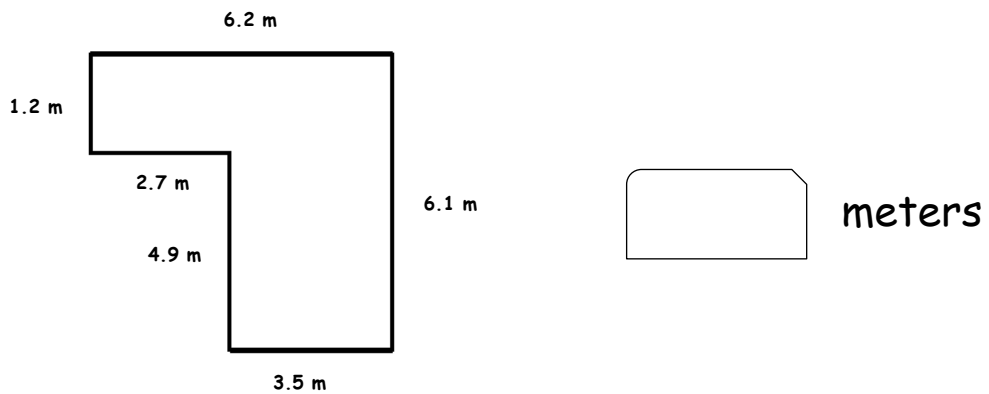
Chapter 17: Geometric Measurement

What is the perimeter? Please write down the correct answer.

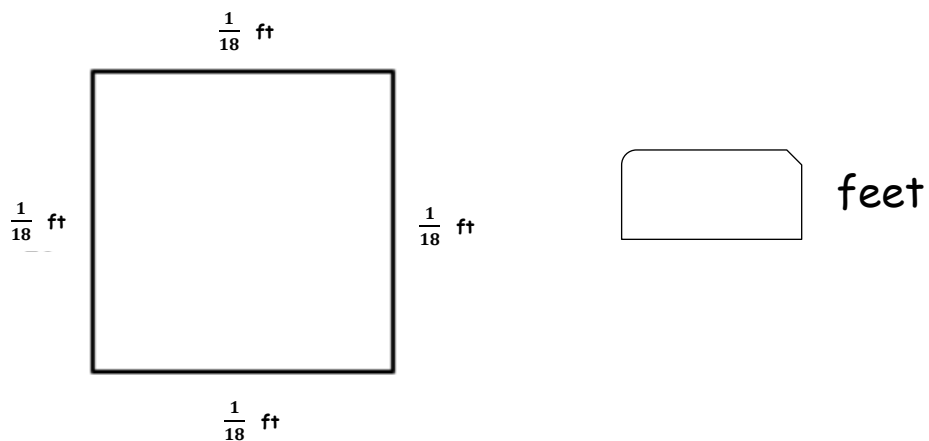
1.



2.

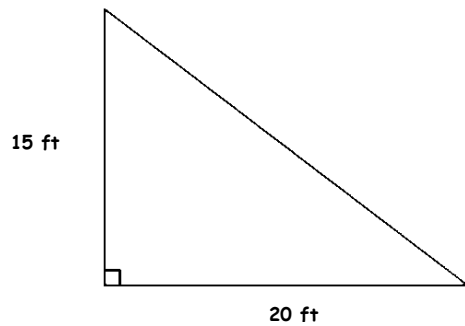


3.



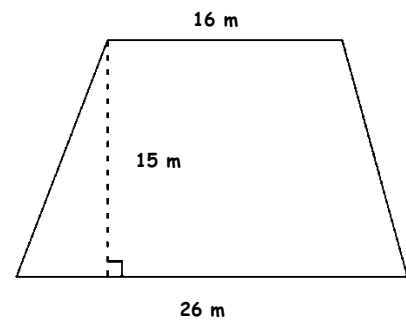
What is the area? Please write down the correct answer.

1.



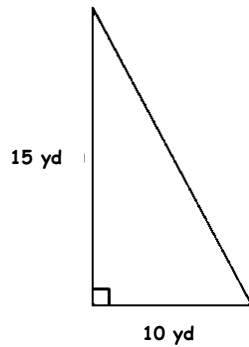
Square feet

4.



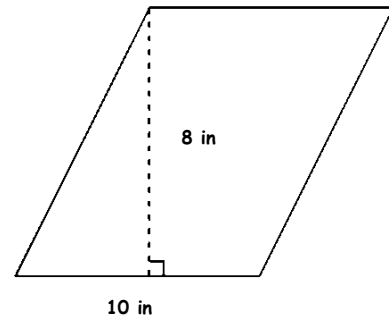
Square meters

2.



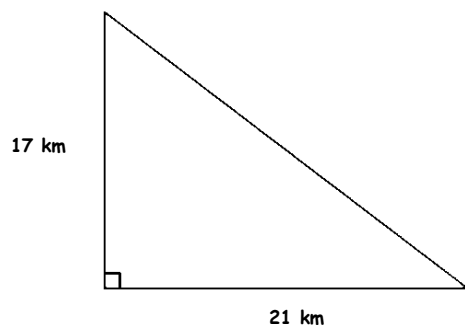
Square yards

5.



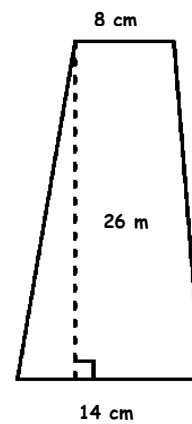
Square inches

3.



Square kilometers

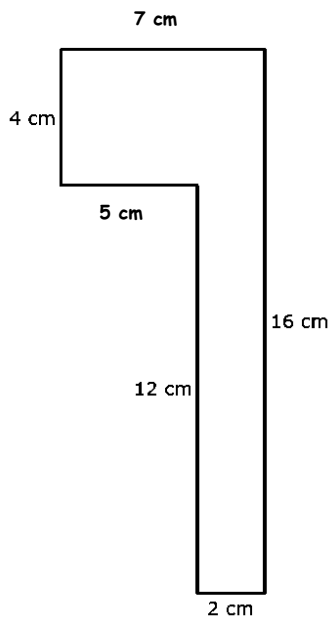
6.



Square meters

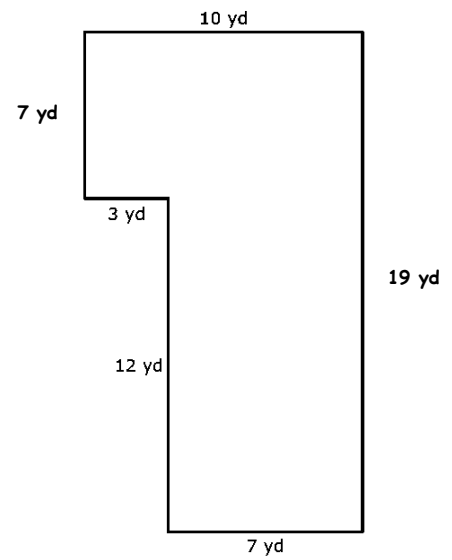
What is the area? Please write down the correct answer.

1.



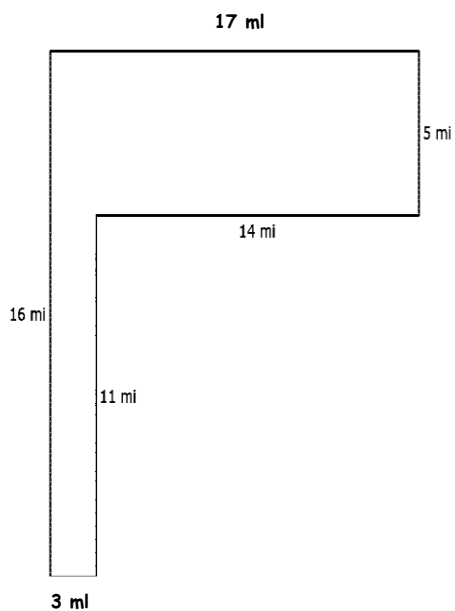
Square centimeters

2.



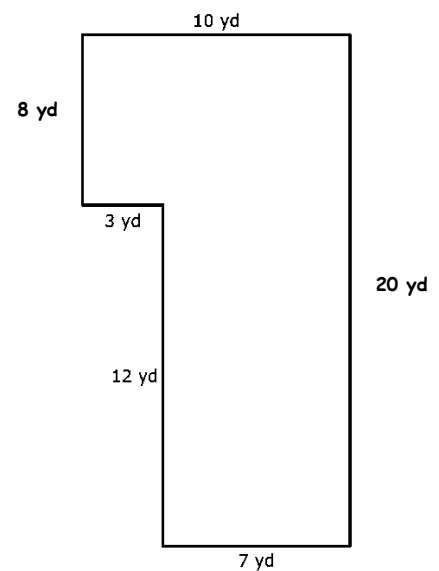
Square yards

3.



Square centimeters

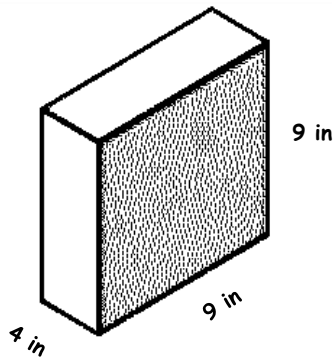
4.



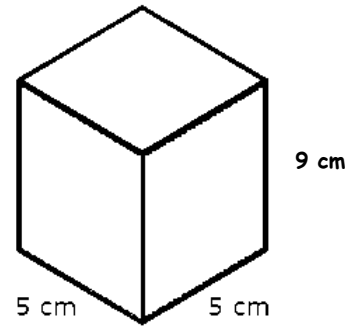
Square yards

What is the volume? Please write down the correct answer.

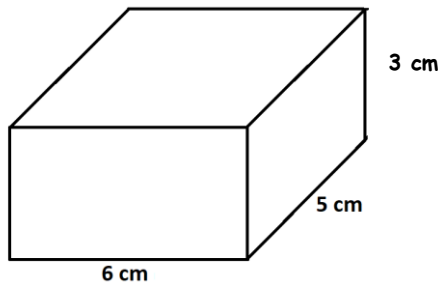
1.

 inches

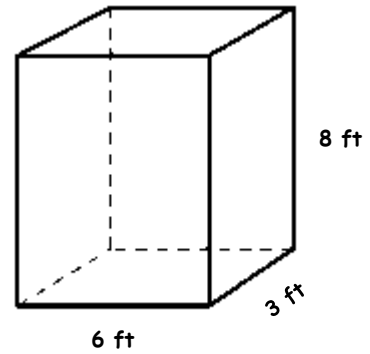
4.

 centimeters

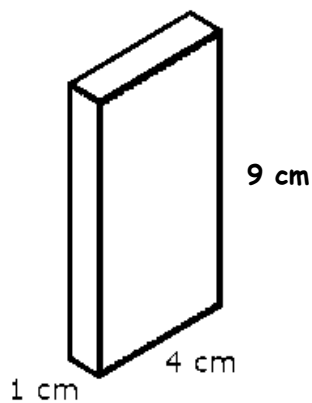
2.

 Centimeters

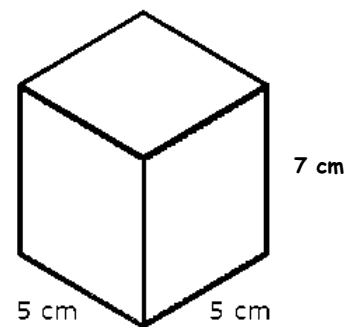
5.

 feet

3.

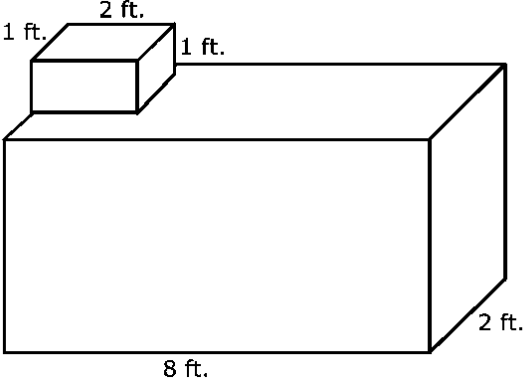
 centimeters

6.

 centimeters

What is the volume? Please write down the correct answer.

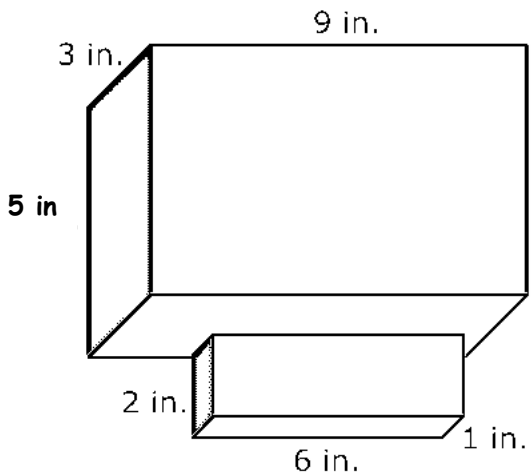
1.



8 ft. 5 ft. 2 ft. 1 ft. 2 ft. 1 ft.

Cubic feet

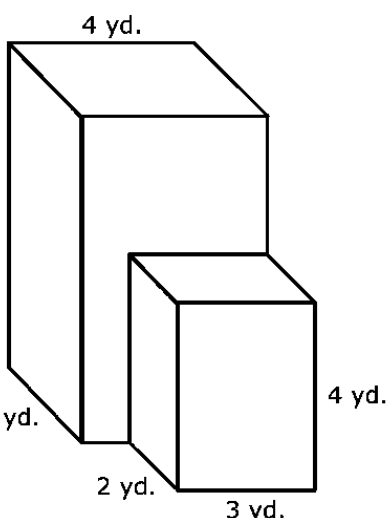
2.



9 in. 3 in. 5 in. 2 in. 6 in. 1 in.

Cubic inches

3.

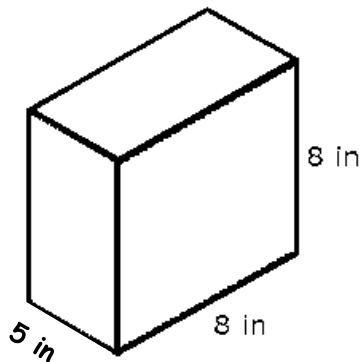


4 yd. 9 yd. 3 yd. 4 yd. 2 yd. 3 yd.

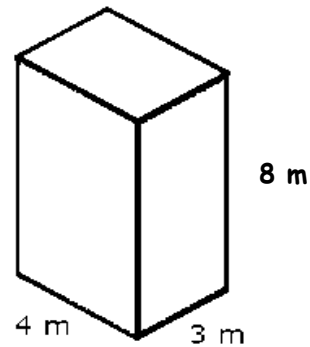
Cubic yards

What is the surface area? Please write down the correct answer.

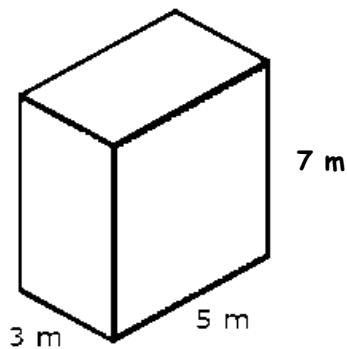
1.

 Square inches

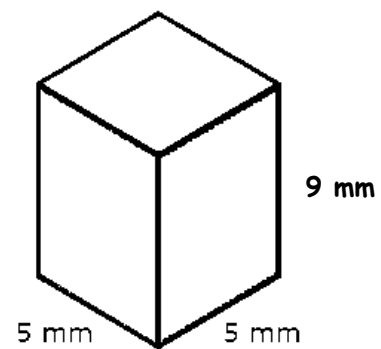
2.

 Square meters

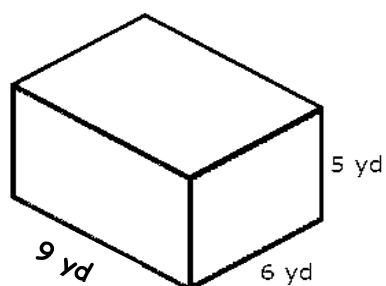
3.

 Square meters

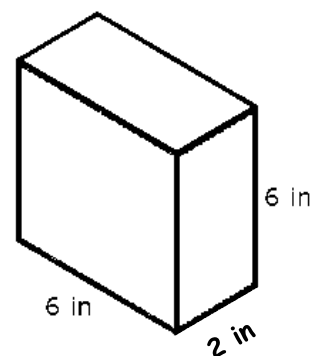
4.

 Square millimeters

5.

 Square yards

6.

 Square inches